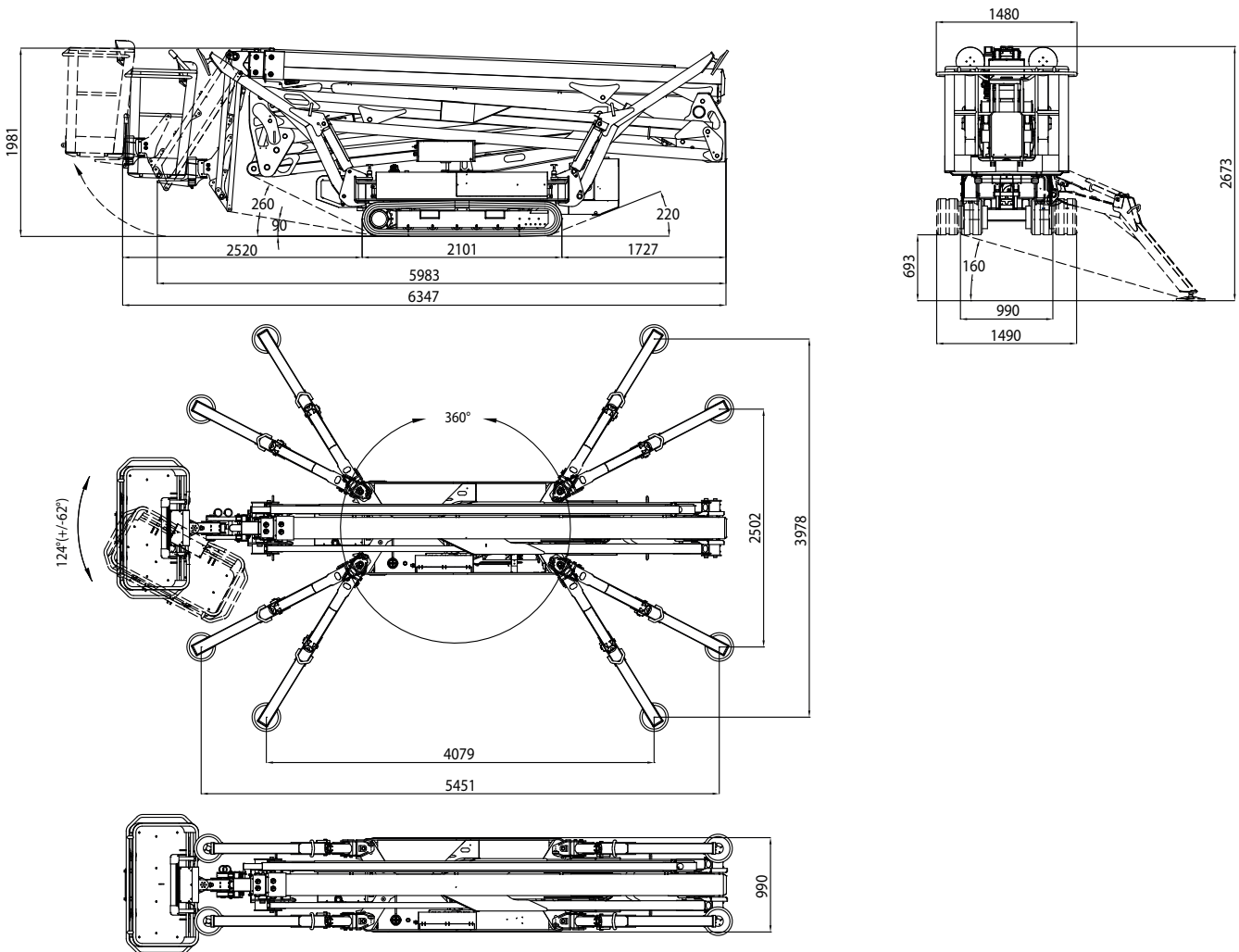
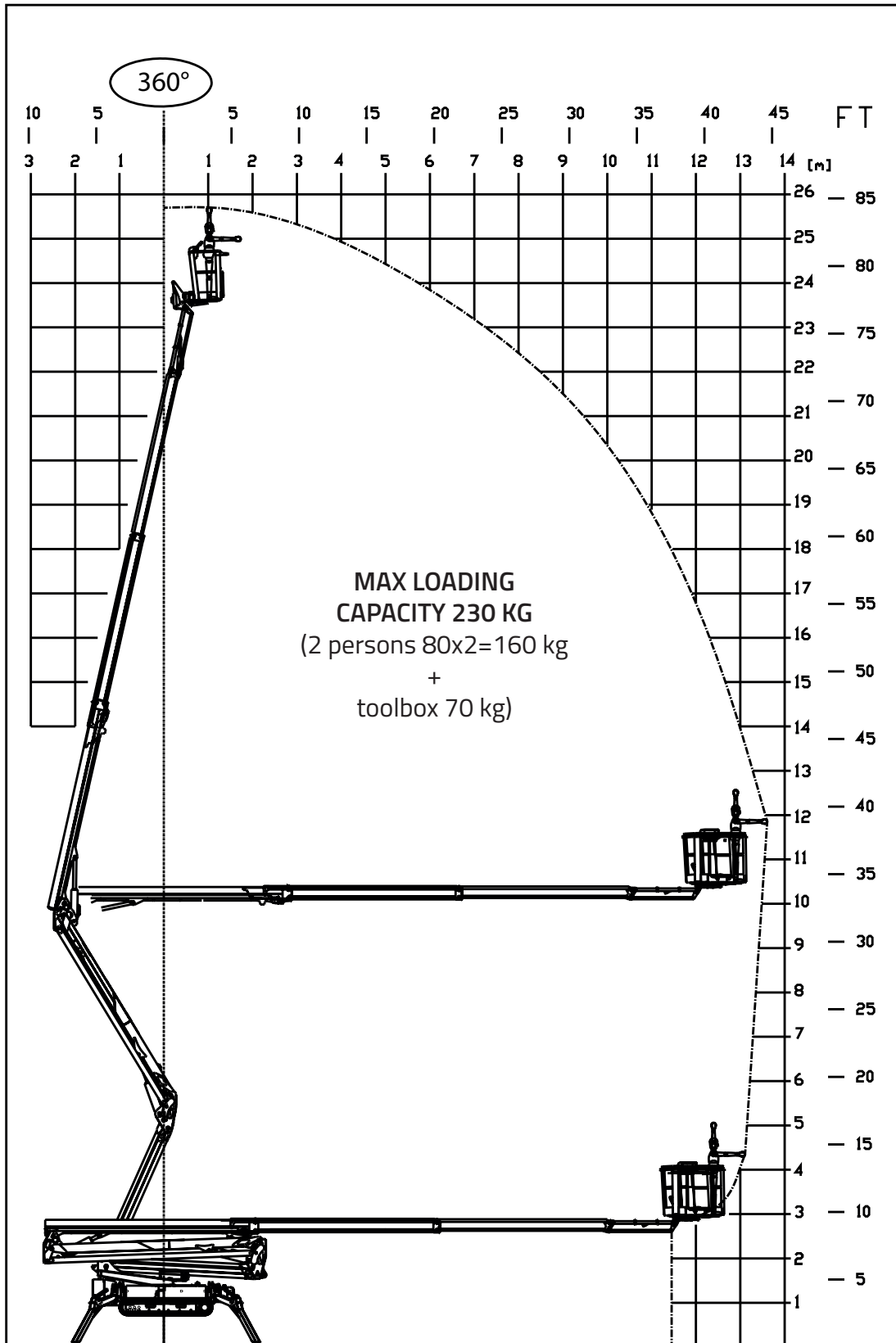


LIGHTLIFT 26.14 *PERFORMANCE III S*



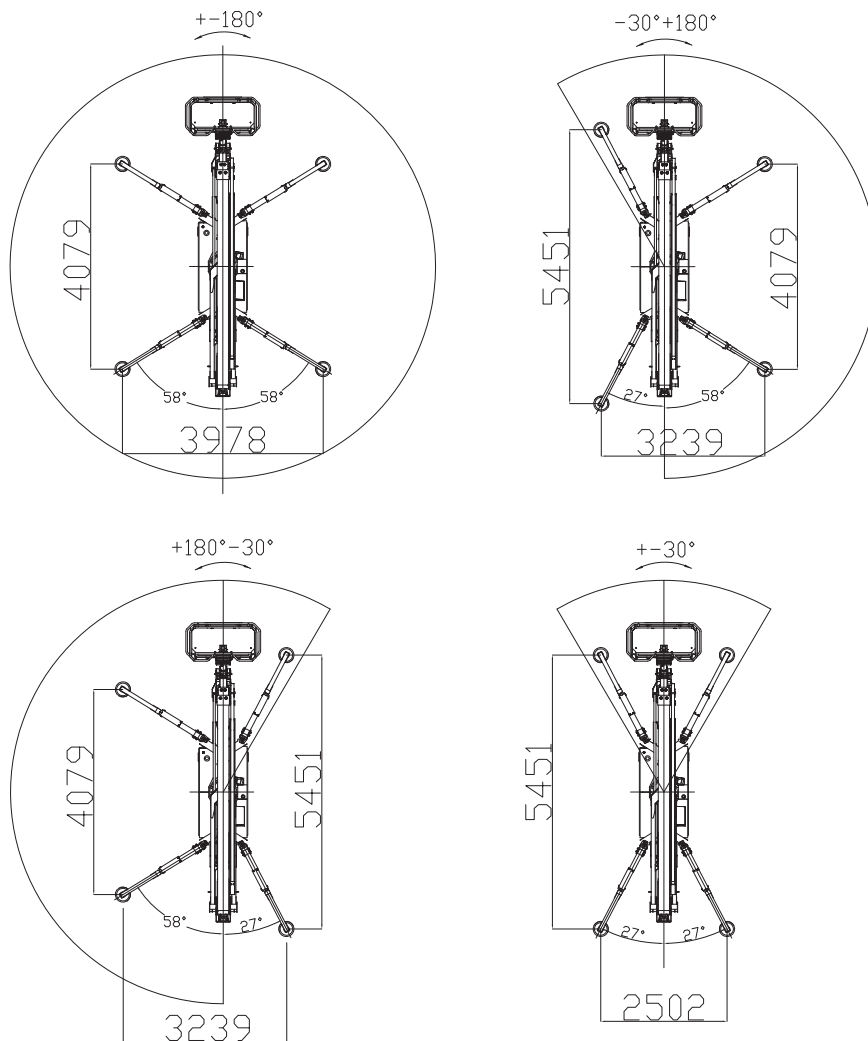
LIGHTLIFT 26.14 *PERFORMANCE III*



LIGHTLIFT 26.14 *PERFORMANCE III S*

STANDARD VARIABLE AREA

Outriggers can deploy in different positions.
This solution enables to set up the machine even in the narrowest places.



LIGHTLIFT 26.14 *PERFORMANCE III*

DIESEL ENGINE

Brand KUBOTA
 Type D902 Autorev
 Pistons no. and displacement 898 cm³
 Max. gross power 21,6 HP - 16,1 kW @ 3200 rpm
 Electrical start 12 volt

ELECTRIC MOTOR

Standard 230V / 50 Hz - 2,2 kW
 Optional 110V / 50 Hz - 2,2 kW

HYDRAULIC PUMPS

Pump diesel engine no. 2 gear pumps
 Pump electric motor no. 2 gear pumps

TRACKED UNDERCARRIAGE

Track tensioner grease-filled
 Rollers no. per side 6 + slide
 Widening system 990 / 1490 mm
 Translation speed with 2nd auto2speed 1,1 - 2 km/h

WEIGHT MACHINE 4365 kg
 DIESEL FUEL TANK 25 liters
 MAX UPPER SLANT 16° / 28,7%
 MAX WIND SPEED 12,5 m/s

LIGHTLIFT 26.14 *PERFORMANCE III*S



ELECTRIC SYSTEM - LITHIUM ION

Electric system voltage	76V-12V
Lithium battery pack.....	7,6 kWh
Autonomy (continuous cycle)*	4-5 h
Onboard battery charger	220V 50Hz
Optional battery charger	110V 50Hz
Recharge time on flat batteries	4 h (indicative)
Recharge time to 80% on flat batteries	2 h (indicative)

HYDRAULIC PUMPS

Electric motor	no.2 gear pumps
----------------------	-----------------

TRACKED UNDERCARRIAGE

Track tensioner	grease-filled
Rollers no. per side.....	6 + slide
Widening system	990 / 1490 mm
Translation speed with 2 nd auto2speed	0,7 - 1,2 km/h

WEIGHT MACHINE	4384 kg
MAX UPPER SLANT	16° / 28,7 %
MAX WIND SPEED	12,5 m/s

* (Autonomy measured with Hinowa H1 operating cycle)